

Current part is item (5) on diagram. Available at www.oshkoshequipment.com

(1) SMR Code	(2) Federal Stock Number	DESCRIPTION	UNIT of meas	(4) Qty inc. in Unit	30-day DS maint allowance			30-day GS maint allowance			1-yr alw per 100 equip cnt- gcy	Depot maint alw per 100 equip	Illustration	
					(a) 1-20	(b) 21-50	(c) 51-100	(a) 1-20	(b) 21-50	(c) 51-100			(a) Figure No.	(b) Item No.
		Reference Number & Mfr. Code												
PAFZZ	5310-734-8837	WASHER: MANIFOLD MTG 7348837 (19204)	EA	12	*	*	*	*	*	*	*	*	14	9
PAFZZ	2815-906-0164	ELBOW ASSEMBLY, INTAKE MANIFOLD: 10951178 (19207)	EA	1	*	*	*	*	*	*	*	*	15	1
PAFZZ	4730-018-9566	PLUG, PIPE: ELBOW MS49005-2 (96906)	EA	1	*	*	*	*	*	*	*	*	15	2
PAFZZ	5310-880-7744	NUT, PLAIN, HEXAGON: ELBOW MTG MS51967-5 (96906)	EA	4	*	*	*	*	*	*	*	*	15	3
PAFZZ	5310-959-4679	WASHER, LOCK: ELBOW MTG MS35340-45 (96906)	EA	4	*	*	*	*	*	*	*	*	15	4
PAFZZ	5330-899-4483	GASKET: ELBOW 10889770 (19207)	EA	1	*	*	*	*	*	*	*	*	15	5
PAFZZ	2815-178-0938	MANIFOLD ASSEMBLY, INTAKE, ENGINE: 11641733 (19207)	EA	1	*	*	*	*	*	*	*	*	15	6
XAFZZ		MANIFOLD, INTAKE, ENGINE: 11641734 (19207)		1									15	7
PAFZZ	5307-904-5671	STUD, PLAIN: ELBOW TO MANIFOLD MTG 0.003 IN. OVERSIZE 10899073-2 (19207)	EA	4	*	*	*	*	*	*	*	*	15	8
PAFZZ	4730-221-2138	PLUG, PIPE: INTAKE MANIFOLD DRAIN MS20913-3S (96906)	EA	1	*	*	*	*	*	*	*	*	15	9
PAFZZ	4730-221-2139	PLUG, PIPE: ARCTIC HEATER HOLE OUTLET MS20913-4S (96906)	EA	1	*	*	*	*	*	*	*	*	15	10
PAFZZ	4730-221-2137	PLUG, PIPE: PERSONNEL HEATER HOLE CONNECTOR MS20913-2S (96906)	EA	1	*	*	*	*	*	*	*	*	15	11
PAFZZ	5340-598-5107	PLUG, EXPANSION: MANIFOLD CORE HOLES 7748957 (19207)	EA	3	*	*	*	*	*	*	*	*	15	12
PAFZZ	5330-908-6340	GASKET: EXHAUST AND INTAKE MANIFOLDS 10935625 (19207)	EA	2	*	*	*	*	*	*	*	*	15	13
PAFZZ	5307-851-2923	STUD, PLAIN: INTAKE MANIFOLD MTG 10889984 (19207)	EA	18	*	*	*	*	*	*	*	*	15	14
PAFZZ	5310-880-7746	NUT, PLAIN, HEXAGON: MANIFOLD MTG MS51968-5 (96906)	EA	18	*	*	*	*	*	*	*	*	15	15
PAFZZ	5310-081-4219	WASHER, FLAT: MANIFOLD MTG MS27183-12 (96906)	EA	18	*	*	*	*	*	*	*	*	15	16
PAFZZ	2910-860-2343	ELBOW ASSEMBLY: INTAKE MANIFOLD 10889791 (19207)	EA	1	*	*	*	*	*	*	*	*	15	17
PAFZZ	4730-018-9566	PLUG, PIPE: ELBOW MS49005-2 (96906)	EA	1	*	*	*	*	*	*	*	*	15	2
PAFZZ	5307-852-4127	STUD, PLAIN: ELBOW TO FLAME HEATER MTG 10899084 (19207)	EA	4	*	*	*	*	*	*	*	*	15	18
		GROUP 02-CLUTCH 0200-CLUTCH ASSEMBLY												
PAFZZ	5306-752-0945	BOLT, MACHINE: CLUTCH TO FLYWHEEL MTG 7520945 (19207)	EA	8	*	*	*	*	*	*	*	*	16	1
PAFZZ	5310-637-9541	WASHER, LOCK: CLUTCH TO FLYWHEEL MS35337-27 (96906)	EA	8	*	*	*	*	*	*	*	*	16	2



Current part is item (5) on diagram. Available at www.oshkoshequipment.com

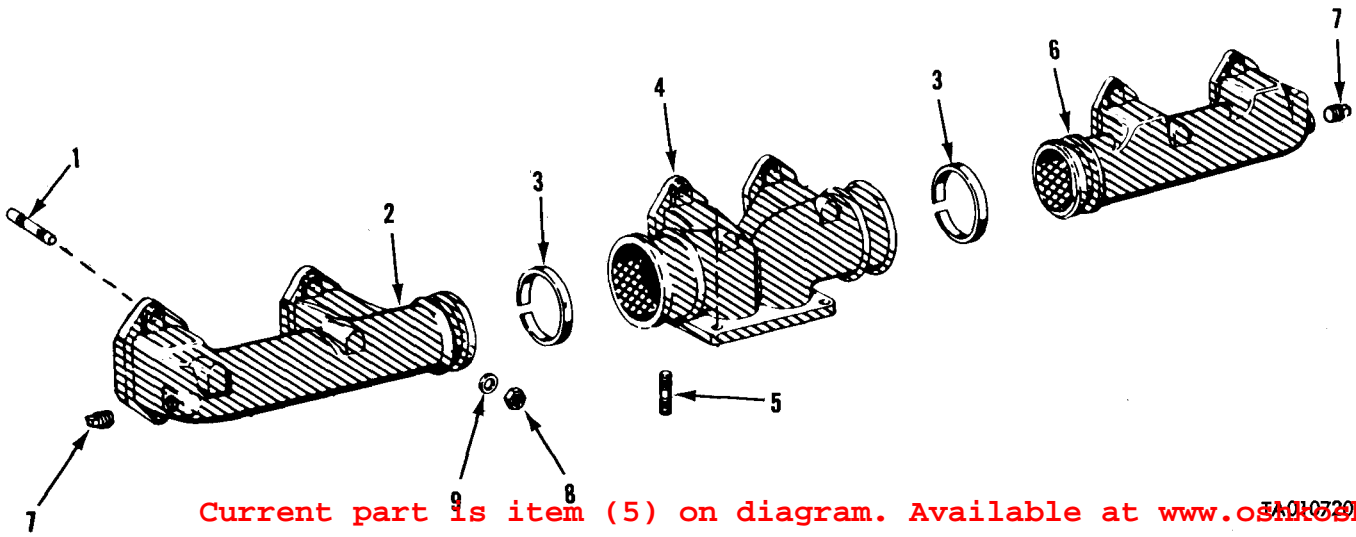
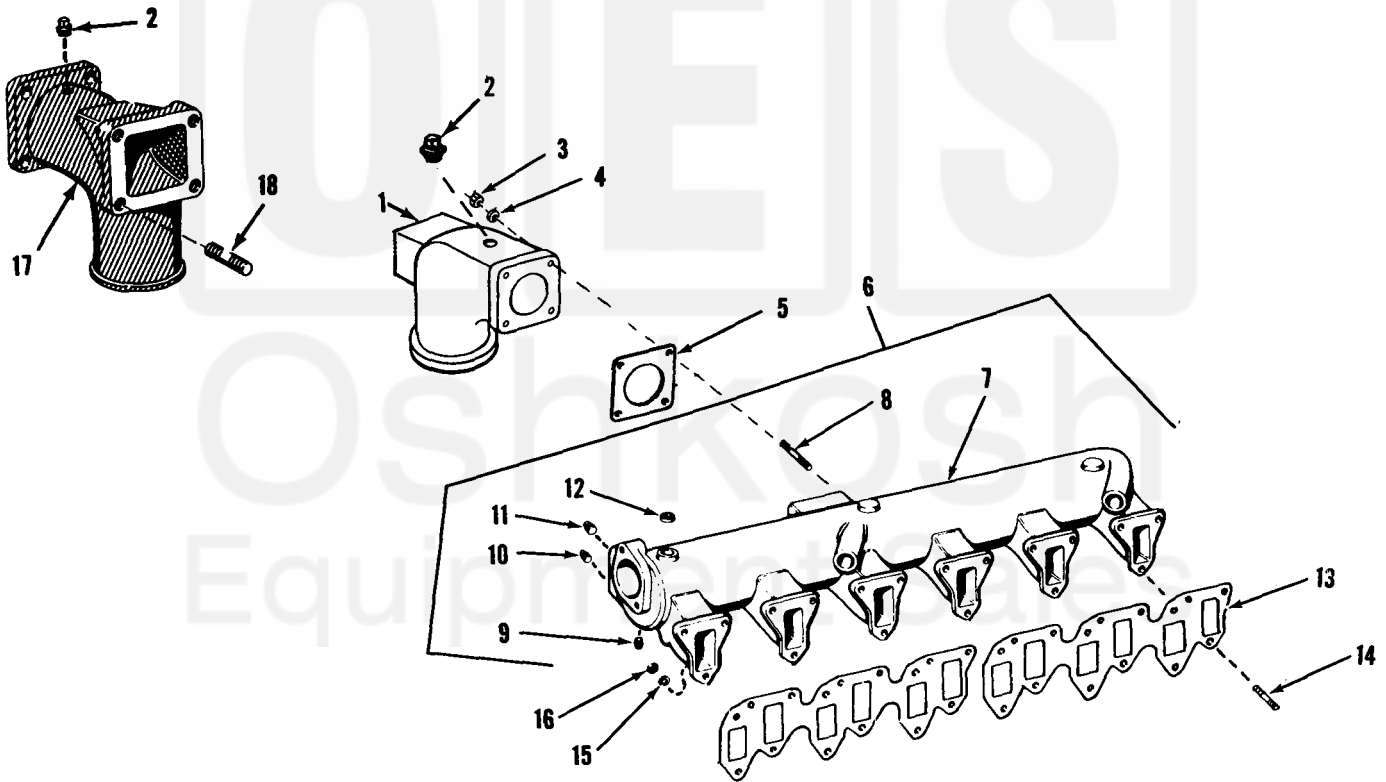


Figure 14. Exhaust Manifold, Exploded View.



TA010721

Figure 15. Intake Manifold and Associated Parts.